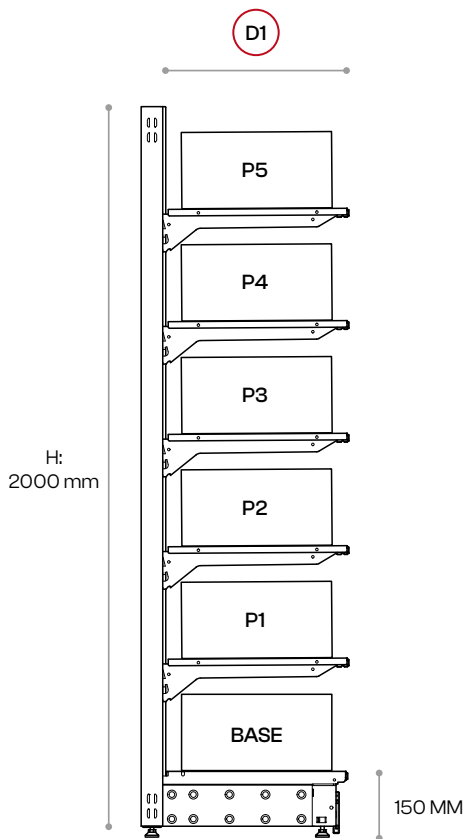
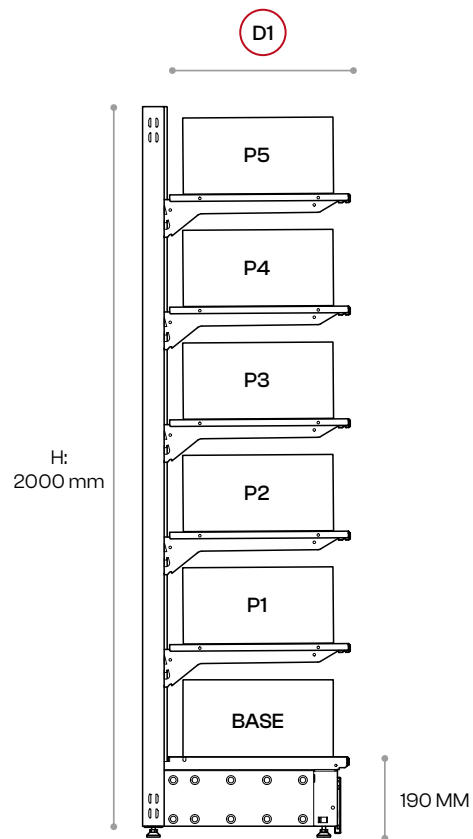


Loading strengths

FOOT 150



FOOT 190

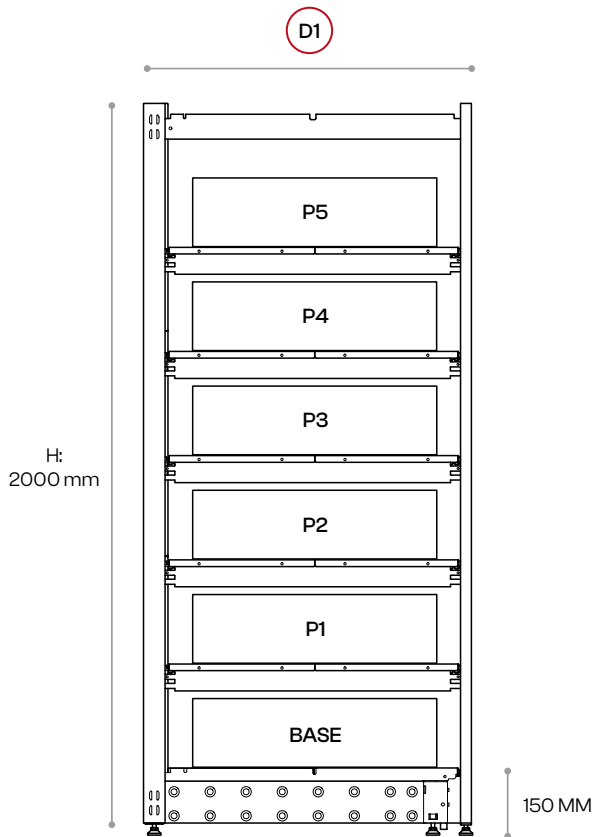


	Pmax		
	Upright	60/30	90/30
D1	400	550 kg	850 kg
D1	500	530 kg	785 kg
D1	600	480 kg	700 kg

	Pmax		
	Upright	60/30	90/30
D1	400	555 kg	1000 kg
D1	500	550 kg	965 kg
D1	600	500 kg	845 kg

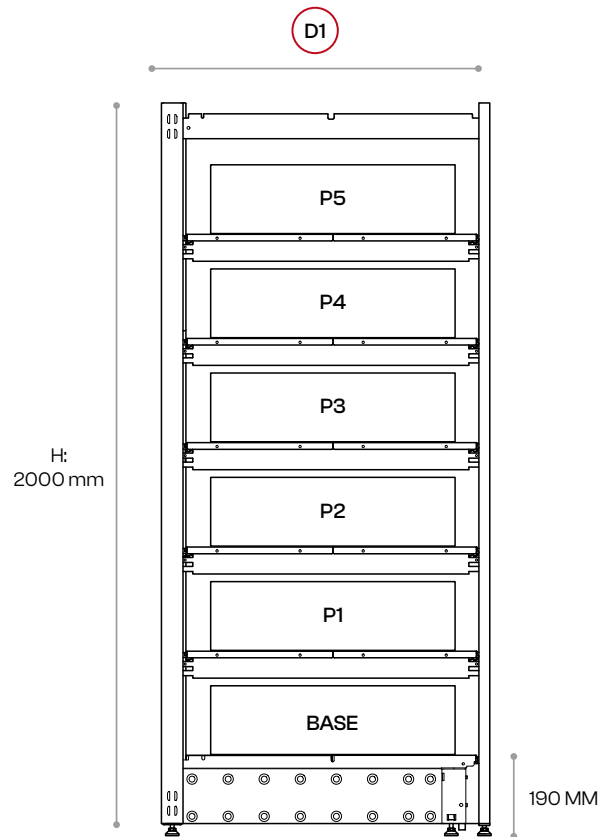
These values are indicative when the rack is correctly mounted and the weight is evenly distributed on the rack and shelf. Please contact us for an exact calculation.

FOOT 150



Pmax		
D1	800	1200 kg

FOOT 190



Pmax		
D1	800	1200 kg

TÜV CERTIFIED

Our standard Pitch 41 shelving is certified to TÜV standards, the most recognised quality label, so you can rely on it being safe, high-quality and fit for purpose.