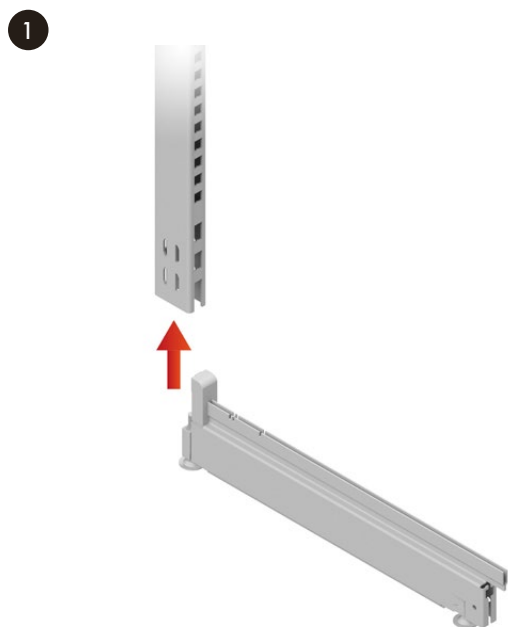
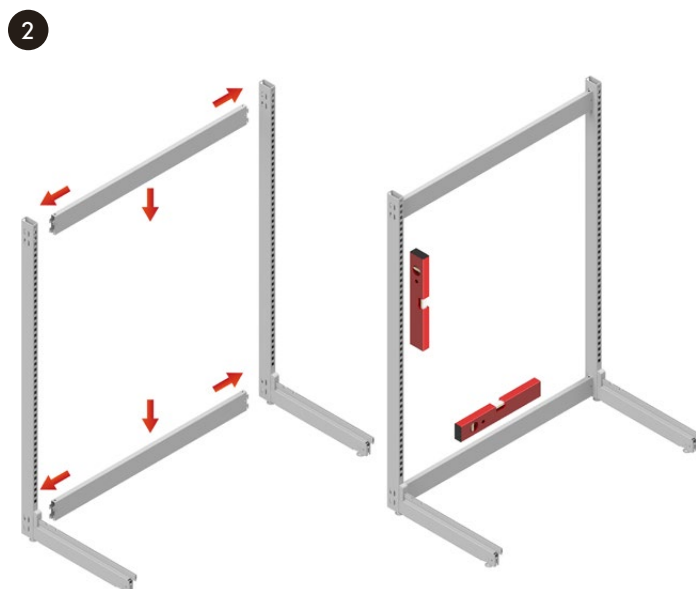


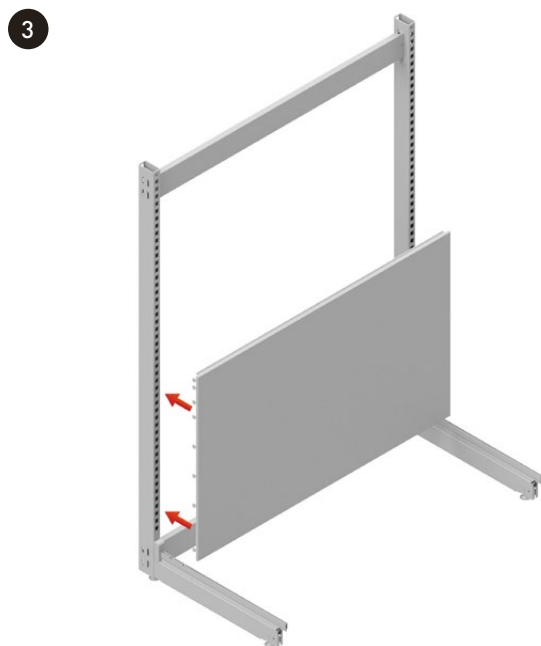
# Installation



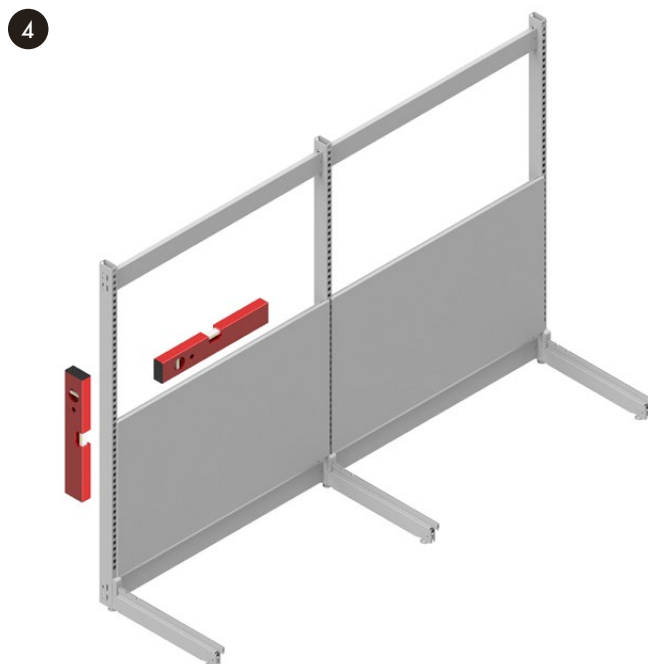
**Step 1:**  
Assemble the upright and feet according to the drawing above.



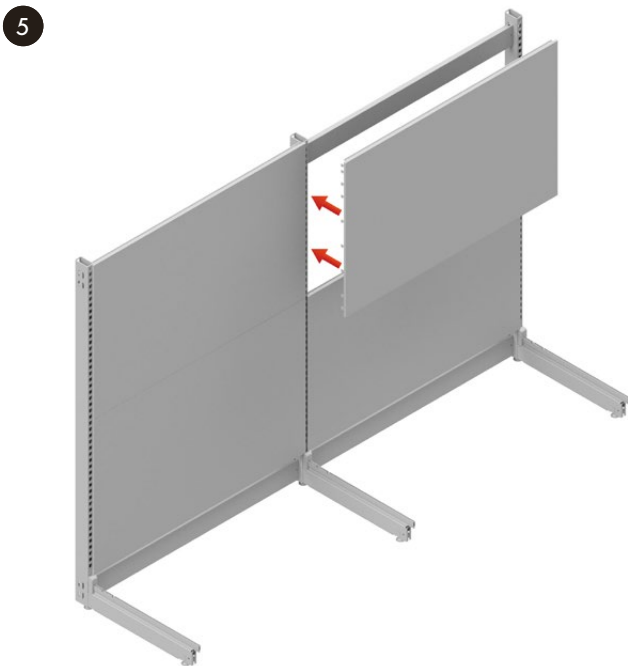
**Step 2:**  
Take 2 pre-assembled uprights with feet and position two bracer bars between the uprights. Check with a level if the bracer bar is horizontal and the upright vertical. Adjust the levelling screws if necessary.  
**Note:** This step can be skipped if you choose installation without bracer bars.



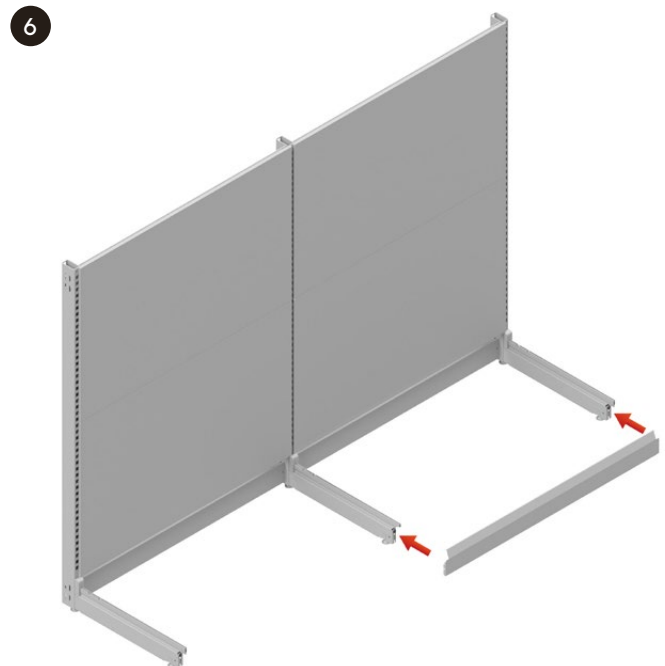
**Step 3:**  
Place a back panel.



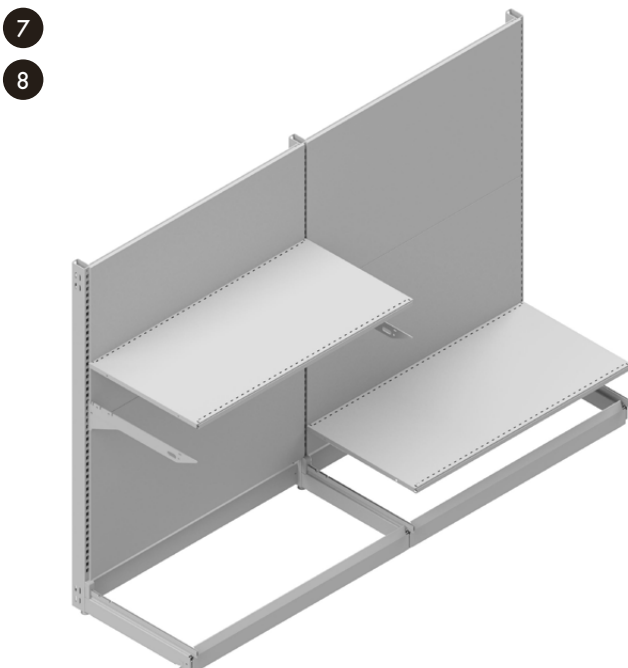
**Step 4:**  
Take a 3rd pre-assembled upright with feet. Position one back panel and repeat step 3. Continue this up to the end of one bay.



**Step 5:**  
Place the other back panels according to the height of the uprights given in the table (page 19). Doing so, both the back and the upright are ending at the same height. If not, you may have used the wrong combination or you have hooked in the bottom back panel too low/high.



**Step 6:**  
Place the plinth between the feet.



**Step 7:**  
Place the base shelf upon the feet.

**Step 8:**  
Install the other brackets with shelves and other accessories.